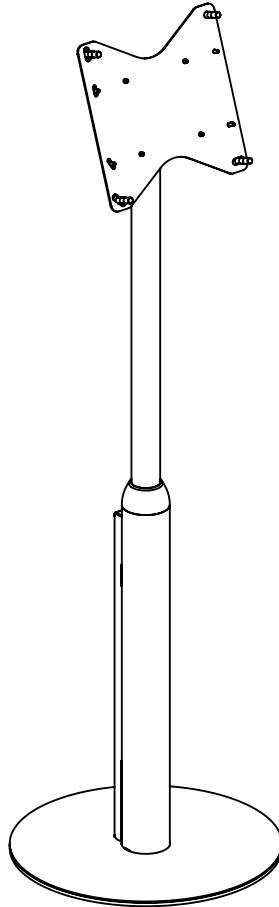


Installation Guide

SPM149

**Adjustable floor stand for screens up to 43"
(max VESA 200 / max weight 11kg)**

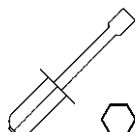
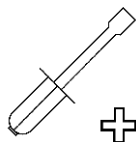
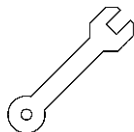
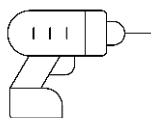




CAUTION

- This product is intended for indoor use only.
- The maximum compatible screen size is 43” and the weight limit for this product is 11 kg. Do not exceed the stated screen size nor the weight limit.
- Take special care to avoid injury when releasing the hand screws, as the top pole will come down, if not held in place.
- Floor mounting of the Floor stand is required. When anchoring the Floor stand make sure to use an appropriate anchoring solution for the specific installation site.
- If these installation instructions are not followed correctly, it could lead to product failure and potential personal injury.
- Ergonomic Solutions/SpacePole inc. cannot be held responsible for any failure or injury, if the installation instructions are not followed correctly.

Tool list



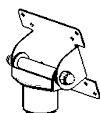
Box content



1x (C)



1x (B)



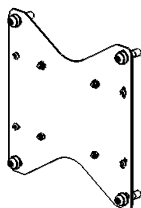
1x (E)



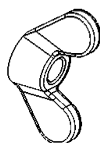
1x (A)



1x (D)



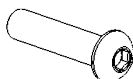
1x (F)



1x M8 wing nut



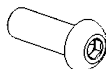
1x washer for M8



4x M8x35



4x M8x16



4x M8x25



4x M6x12



4x washer for M8



4x spacer (5mm) for M8

MK10-0076



2x M4 flange nut



2x M4 lock nut



4x M4x6

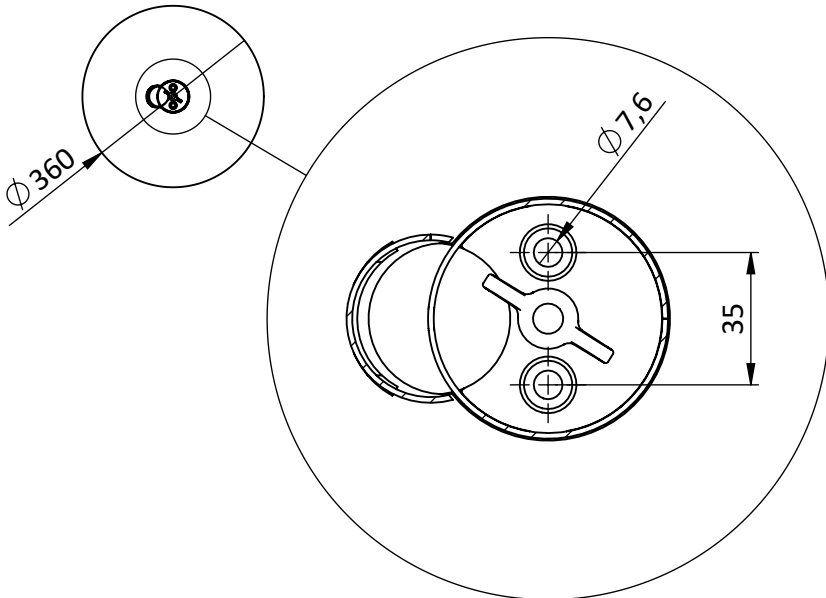
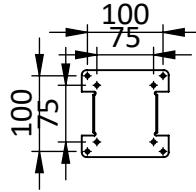
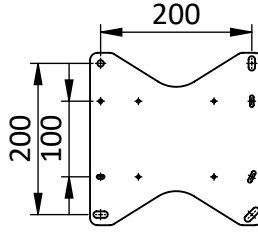
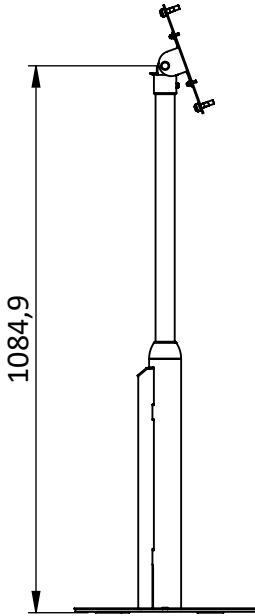


4x M4x10



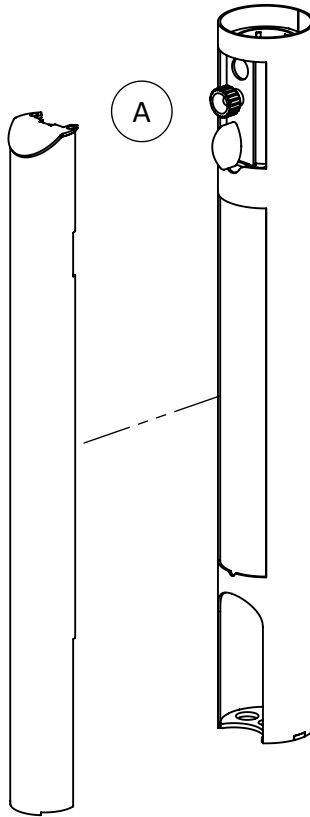
4x M4x8

Dimensions (mm)



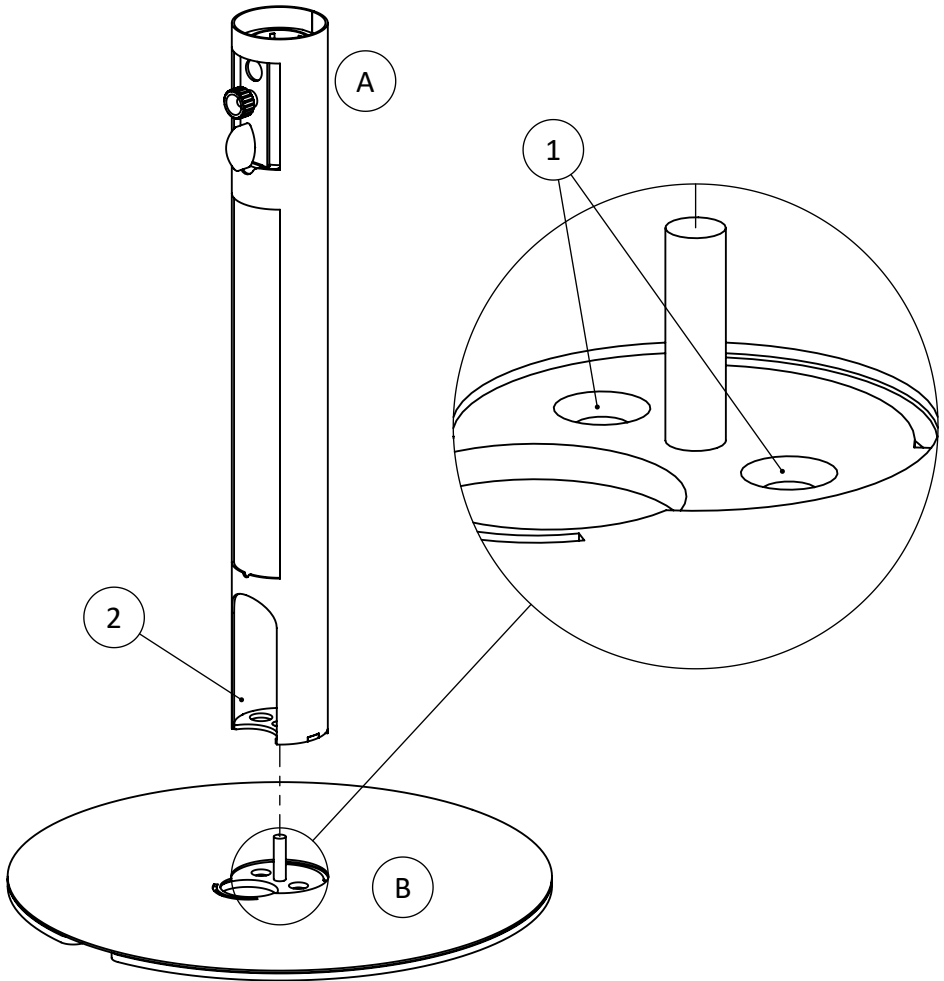
Steps

Step 1: Remove cover, from (A) - magnetically held in place



Steps

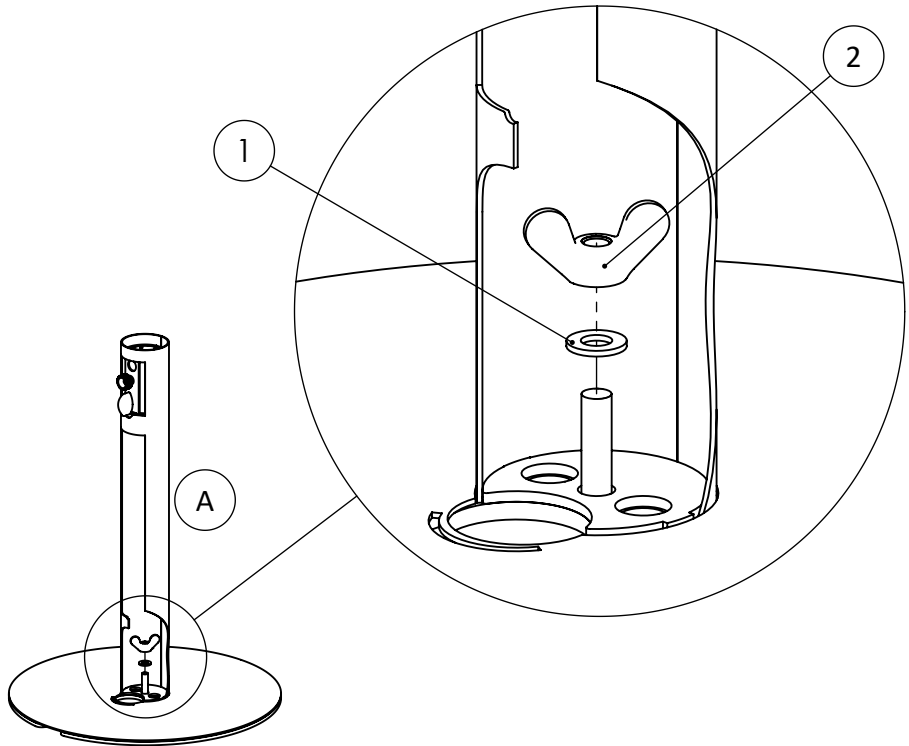
Step 2: Secure base (B) and place base pole (A)



- 1 Secure base to the floor using the countersunk holes (fixings are not provided).
- 2 Place (A) on base (B), align the holes.

Steps

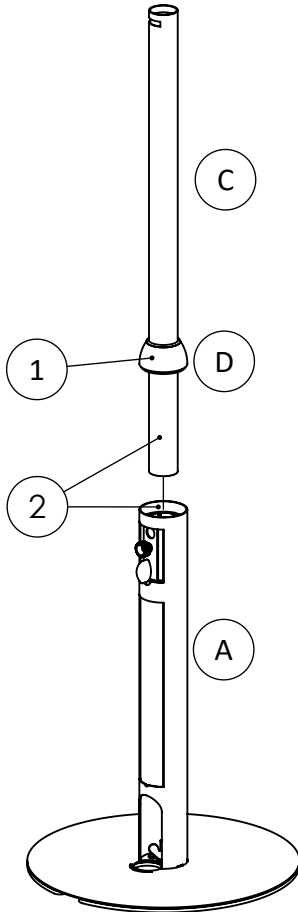
Step 3: Secure base pole (A)



- 1 Place M8 washer.
- 2 Tighten the M8 wing nut by hand.

Steps

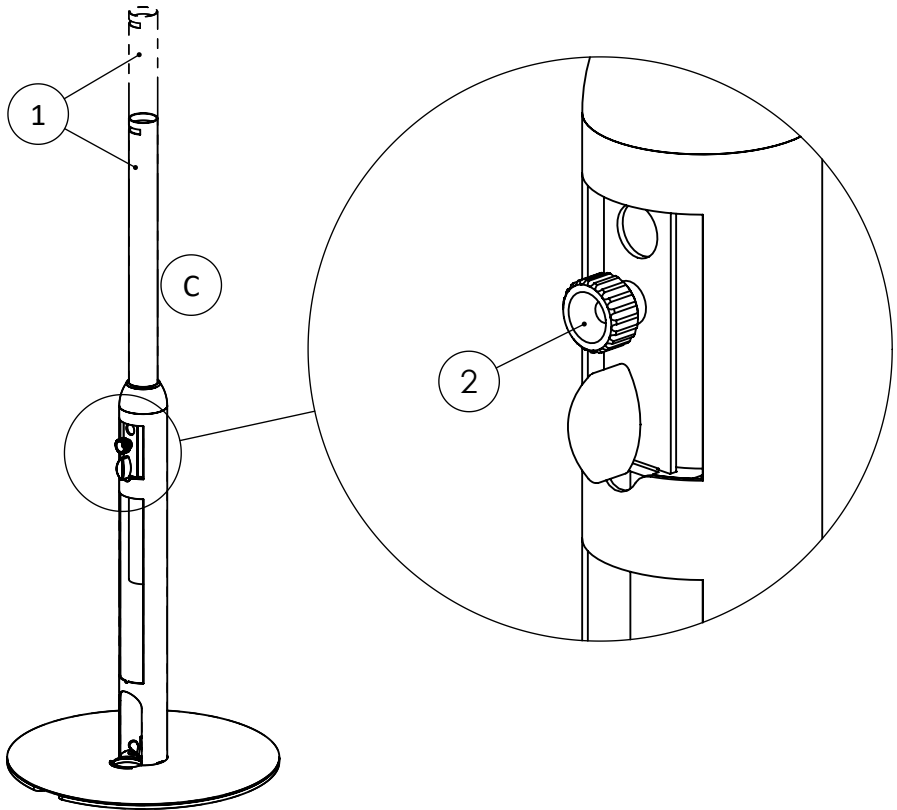
Step 4: Mount Pole (C) inside the base pole (A)



- 1 Place aluminium element (D) over the pole
- 2 Insert pole in the base

Steps

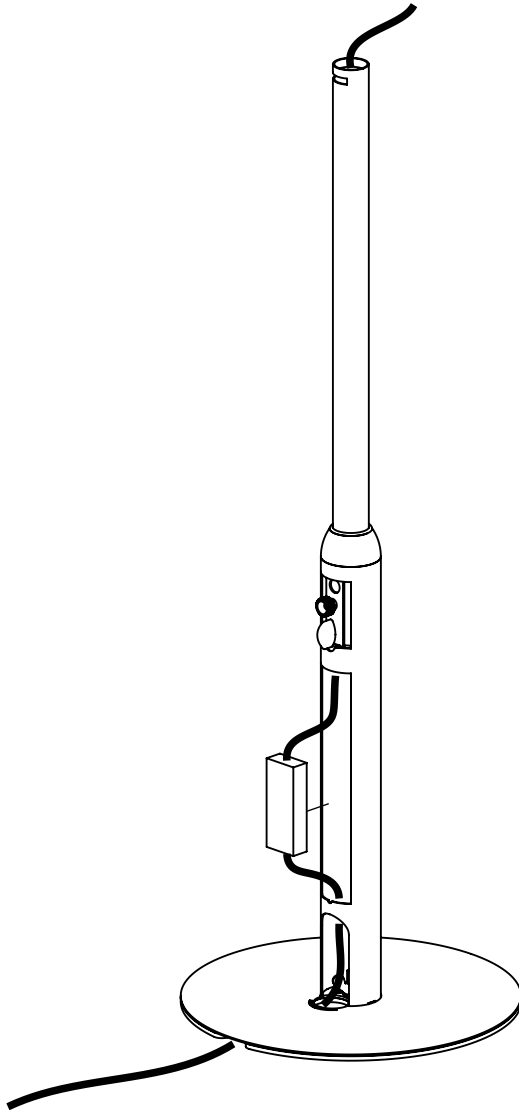
Step 5: Adjust the pole (C) to the desired height and secure



- 1 Place the pole at the desired height.
- 2 Fix in position using the hand screws

Steps

Step 6: Route cables and place power brick



Steps

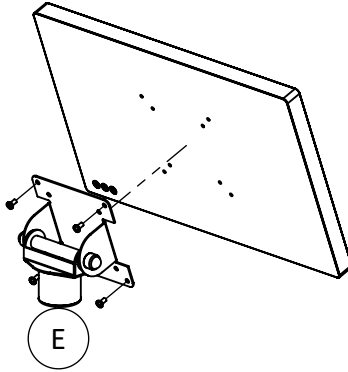
Step 7: Mount screen



Choose the appropriate length of screws for the screen!

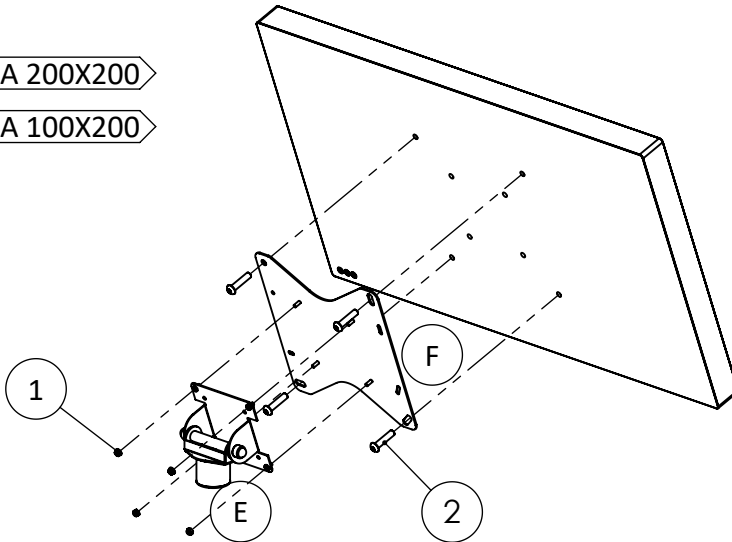
VESA 75X75

VESA 100X100



VESA 200X200

VESA 100X200

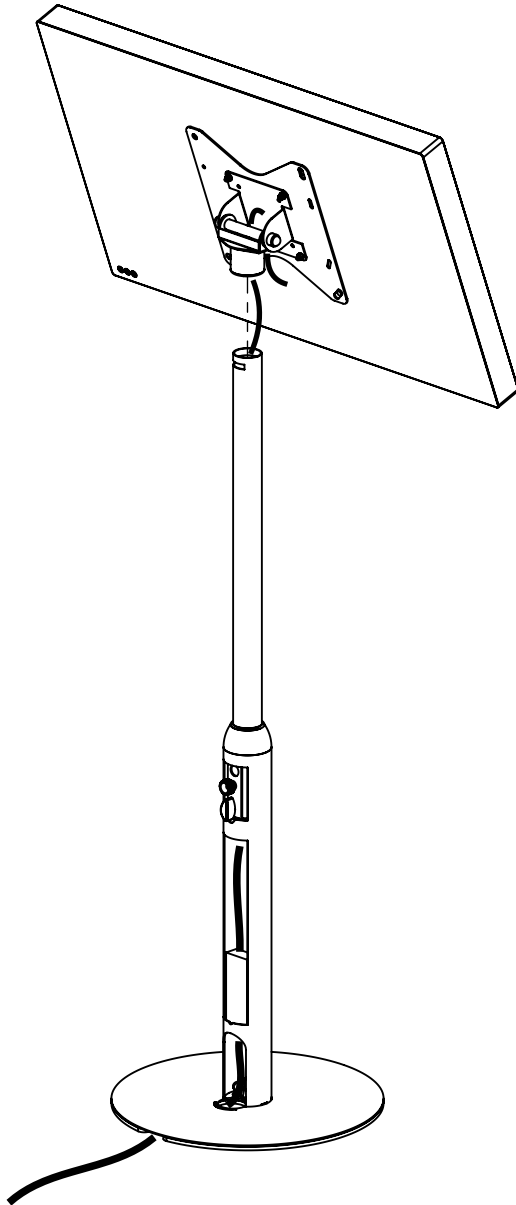


1 Attach adapter (F) to (E) using the 4x M4 nuts

2 Attach screen to (F)

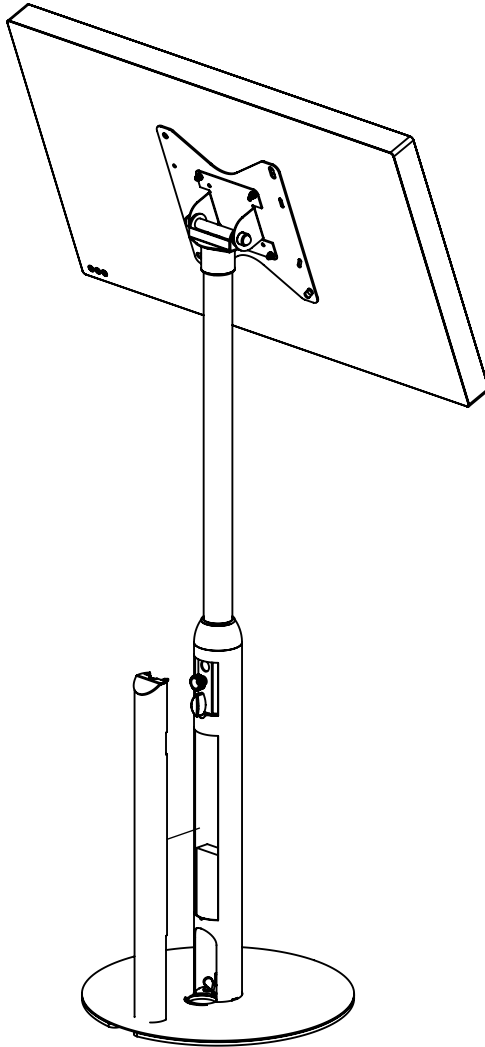
Steps

Step 8: Mount VESA adapter and screen on to the floor stand



Steps

Step 9: Place cover, magnetically attached



This page intentionally left blank

This page intentionally left blank

Need help? Contact us



ergonomic.solutions/about/contact-us

spacepole.com/about/contact-us